



5/17 Ball Avenue Eastwood NSW

2 1 1

Located on the top floor of a well maintained block (no noise from residents above) this immaculate unit presents with quality fittings and fixtures, and abundance of natural light, good paint and carpet throughout. It has an open and airy appeal and good cross flow ventilation.

Enjoy the treetop vistas from the 'L' shaped lounge and dining room that open onto a good size balcony that has an awning, making it ideal for year round entertaining.

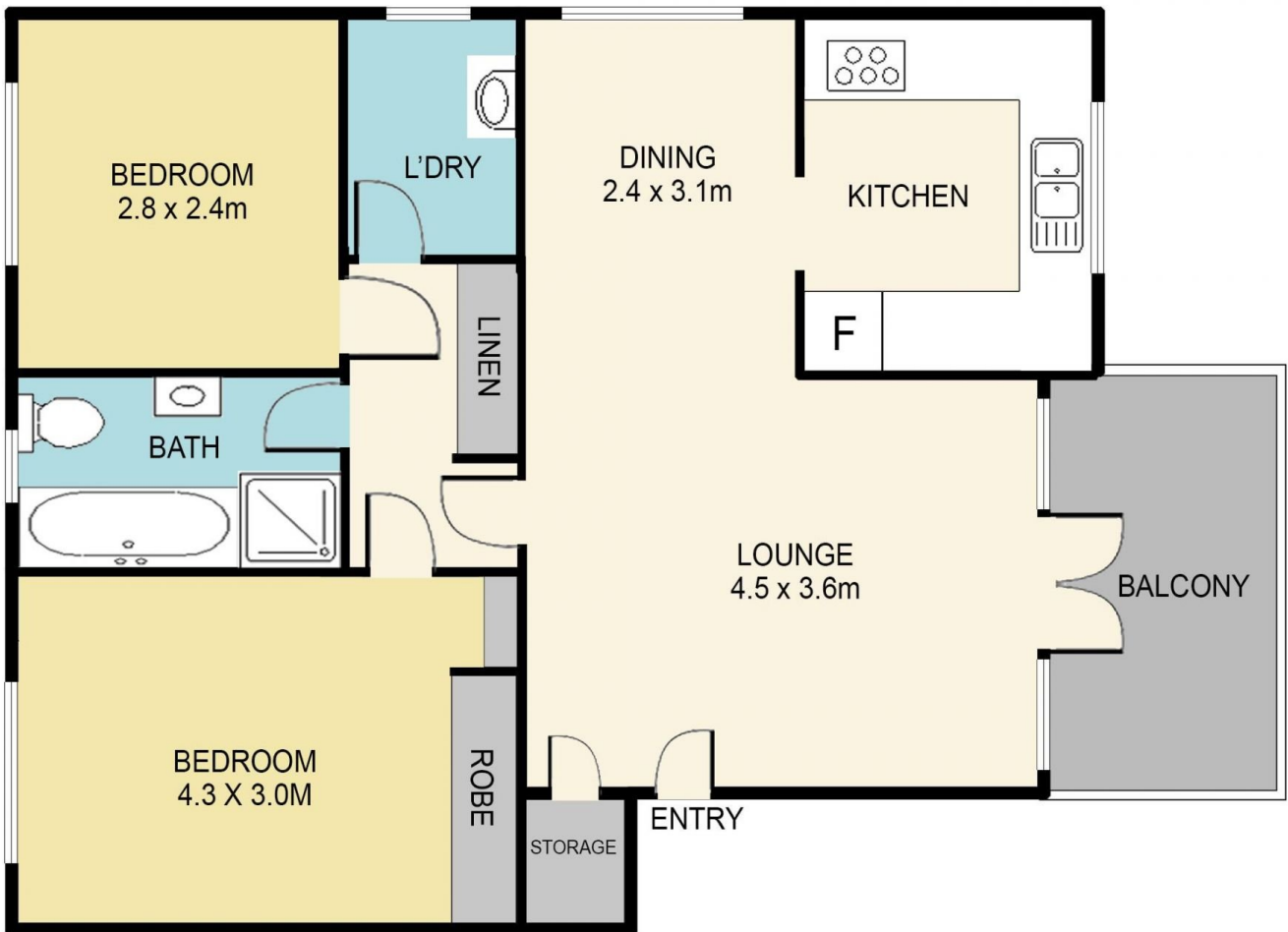
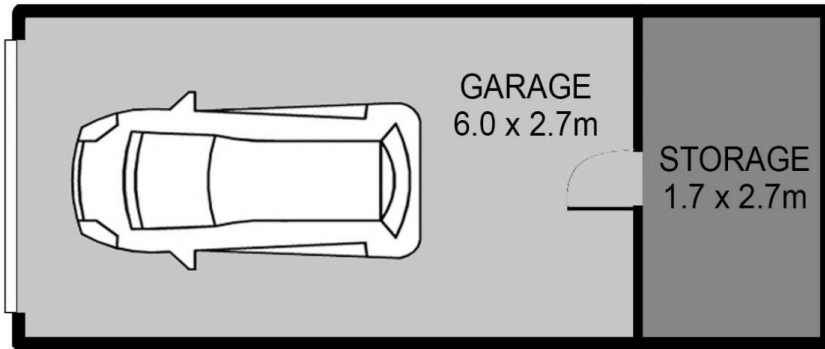
Neat kitchen with clean lines, practical rolled edge bench tops, electric cooking and plenty of cupboard and bench space. Dishwasher located in the laundry can be included if desired.

The main bedroom has a large wall to wall custom made built-in in robe.

View : <https://www.awardgroup.com.au/lease/nsw/north-ern-suburbs/eastwood/residential/unit/7131784>



Mary Lesic
(02) 9808 1199



5/17 BALL AVENUE, EASTWOOD

DISCLAIMER
DIMENSIONS ARE APPROXIMATE AND SHOULD ONLY BE USED AS A GUIDE.
THEY ARE NOT TO SCALE AND NO LIABILITY WILL BE ACCEPTED.